



SENSORS &
CONTROLLERS



ANALYZERS
& SAMPLERS



LEVEL, FLOW
& PRESSURE



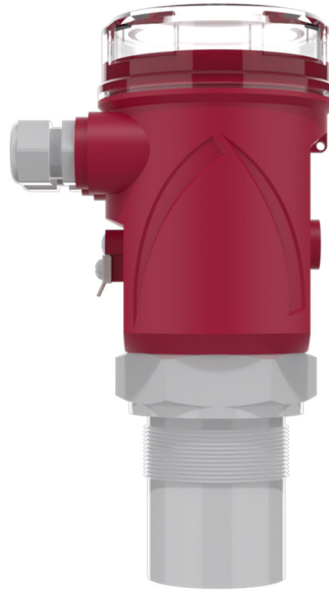
WEB APP &
DATALOGGING



ACCESSORIES

METER DATASHEET

ULTRASONIC LEVEL TRANSMITTER



MAIN FEATURES

Ultrasonic level transmitter

- Range 0,25 ÷ 6 m / 0,4 ÷ 10 m
- MODBUS
- Power supply 20÷30Vdc; 12 Vdc
- Output 4 ÷ 20 mA (2 wire version);
- 4 ÷ 20 mA + 2 relays set (4 wire version)
- ATEX (On request)
- Remote control via Smartphone

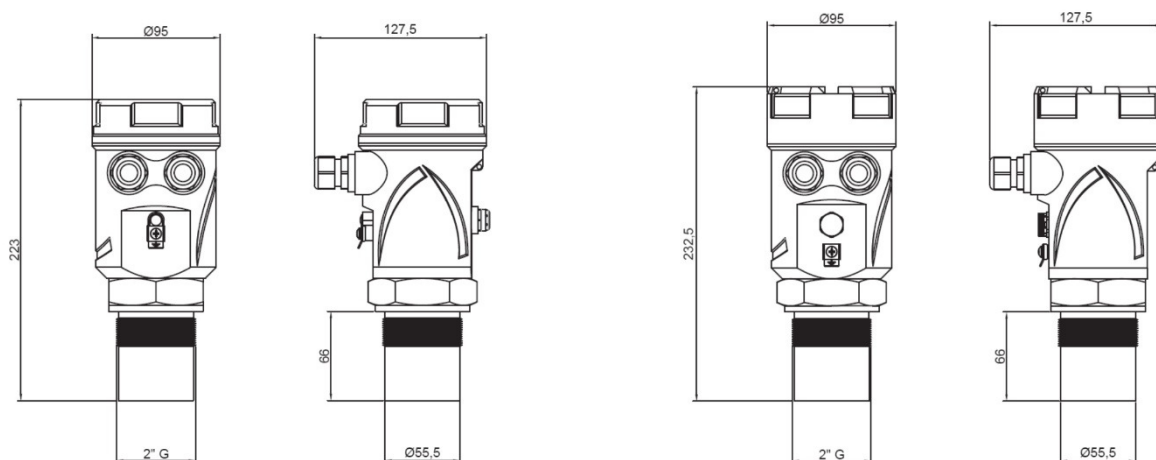
APPLICATIONS

Non-contact level measurement, ultrasonic, suitable for measuring liquids, with integrated temperature sensor for temperature compensation.

TECHNICAL DATA

Measuring range	0.25...6 m ; max. 0.4...10 m (Distances expressed are valid for measurements of perfectly reflective surfaces, otherwise the maximum measurable distance is reduced)
Accuracy	±0.2% (of the measured distance) but not less than ±3mm
Resolution	1 mm
Temp. compensation	Digital between -30...80°C
Operating temperature	-20 ÷ +60°C
Pressure	0.5...1.5 bar (absolute)
Programming/display	Removable module with 4 keys and dot matrix LCD (or via HART / Bluetooth on request)
Housing material	PC or AI / PP wetted part (only PVDF for ATEX certified vers.)
Mechanical installation	2" GAS M (PP flange DN80 optional)
Protection grade	IP67 / IP68 (Sensor)
Power supply	12Vdc / 20÷30Vdc
Power consumption	0,6W (2-wires) - 1,5W (4-wires)
Analogue output	4...20mA, max 750ohm (4 wires version)
Output relays	Nr.2 - 3A 230Vac (n.a.) (only 4 wires version)
Digital communication	2 wires version (optional) HART ; 4 wires version Modbus RTU
Ex-proof	ATEX II 1/2G Ex ia/db IIC T4 Ga/Gb ; II ID Ex ta IIIC T135°C Da Tamb: -20 +60°C

DIMENSIONS



Standard Version

ATEX Version

ORDER CODES

METER	Ultrasonic Level transmitter Ultrasonic - 4÷20mA output. Housing with Anti-condensation filter G 2" / PP or PVDF threaded connection + 2" locking ring (not for PVDF version) Setting by keyboard/graphic LCD display detachable module (optional) or APP Android Temperature range : -30° ÷ +70°C (80° non continuous)
Version	
-	2 wire, range 6m, HART, ATEX II 1/2G Ex ia/db IIC T4 Ga/Gb ; II ID Ex ta IIIC T135°C Da Tamb: -20 +60°C
0	2 wire, range 10m, HART, ATEX II 1/2G Ex ia/db IIC T4 Ga/Gb ; II ID Ex ta IIIC T135°C Da Tamb: -20 +60°C
1	2-wire, range 6m
2	2-wire, range 6m, HART
3	2-wire, range 6mATEX II 1/2G Ex ia/db IIC T4 Ga/Gb ; II ID Ex ta IIIC T135°C Da Tamb: -20 +60°C
4	4-wire, 2 relays, range 6m, MODBUS
5	2-wire, range 10m
6	2-wire, range 10mATEX II 1/2G Ex ia/db IIC T4 Ga/Gb ; II ID Ex ta IIIC T135°C Da Tamb: -20 +60°C
7	2-wire, range 10m, HART
8	4-wire, 2 relays, range 10m, MODBUS
9	Special
Housing / Sensor materials	
F	PC with transparent cap, IP67 / PP
L	PC with blind cap, IP67 / PP
P	PC with transparent cap, IP67 / PVDF
R	PC with blind cap, IP67 / PVDF
S	Aluminum with transparent cap, IP67 / PP
U	Aluminum with transparent cap, IP67 / PVDFR (essential for ATEX versions)
V	Aluminum with transparent cap, IP67 / PVDF
Z	Special
Power Supply	
4	24Vdc (20÷30Vdc)
5	12Vdc (max 20Vdc) - only for version 1 and 5, 4 and 8
9	Special
Optional	
A	None
B	Bluetooth - 4 wire version only
C	DN80 PN6 UNI 1092-1/PP flange
D	VL601 keyboard/display programming module
P	PP Sensor extension for total insertion 250mm (not available with PVDF body)
S	Software for MODBUS communication
Z	Special