



SENSORS &
CONTROLLERS



ANALYZERS
& SAMPLERS



LEVEL, FLOW
& PRESSURE



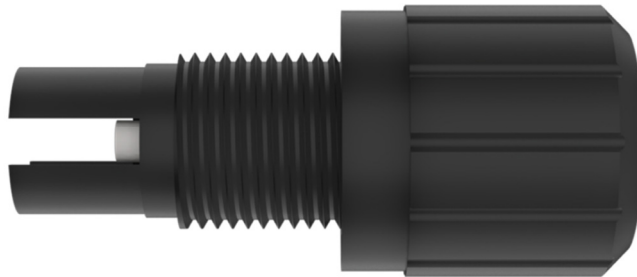
WEB APP &
DATA LOGGING



ACCESSORIES

S411 DATASHEET

CONDUCTIVITY CELL



MAIN FEATURES

- Extremely simple installation
- No need for maintenance
- Protection cap
- Suitable for direct insertion in pipes and closed tanks
- Possibility of integral temperature sensor, Pt100 or other on request
- Working pressure up to 5 bar, working temperature 5 ÷ 100 °C
- Cell constant $K = 1 \text{ cm}$, measuring range from 0 to 50000 μS

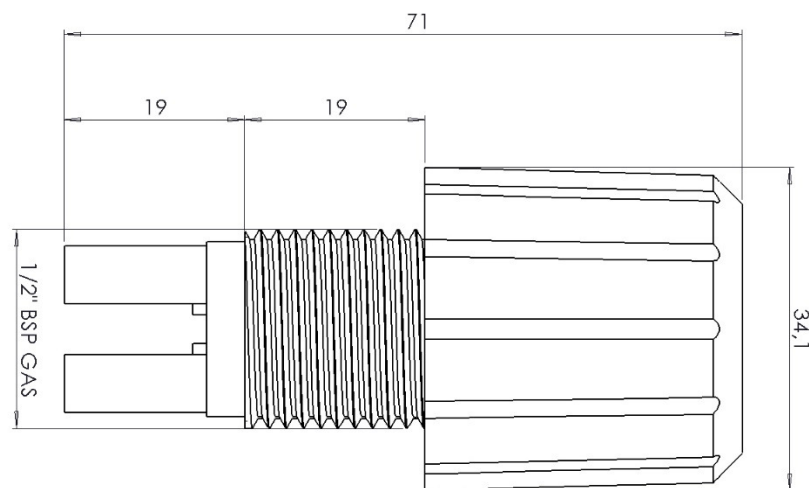
APPLICATIONS

- Industrial processes
- Water treatment plants
- Sewage treatment plants
- Water softeners
- Boiler feed water

TECHNICAL DATA

Materials	PP glass fiber (PP 30% GF)
Measuring electrodes	2, cylindrical, made of graphite
Measuring ranges	0,00 μ S to 20000 μ S
Cell constants and measuring ranges,	K = 1 cm: 0÷50000 uS;
Operating Temperature	5÷100°C
Operative pressure limit	5 bar at room temperature
Integral temperature sensor	Pt100
Connections to the process	Threaded, 1/2" BSP GAS
Dimensions	See dimensional drawing
Cable	5m, 10m, more on request

DIMENSIONS



ORDER CODES

6100010446	S411 PP Conductivity Cell KI 5m cable
6100010447	S411 PP Conductivity Cell KI 10m cable
6100010444	S411/C PP TC PT100 Conductivity cell KI 5m cable
6100010445	S411/C PP TC PT100 Conductivity cell KI 10m cable