



SENSORS &  
CONTROLLERS



ANALYZERS  
& SAMPLERS



LEVEL, FLOW  
& PRESSURE



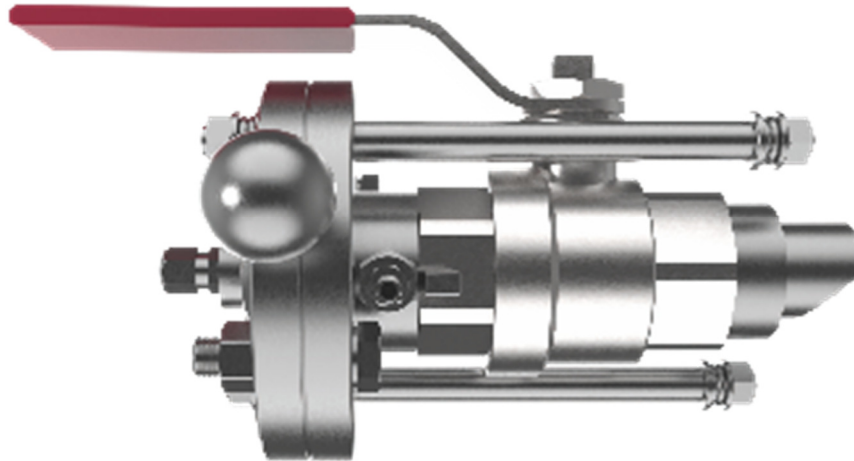
WEB APP &  
DATALOGGING



ACCESSORIES

# S305/INS DATASHEET

## INSERTION SENSOR HOLDER FOR S46 I



### MAIN FEATURES

- The sensor holder S305 INS for insertion into the pipe is used for Turbidity/ Suspended Solids sensors
- AISI 316 probe-holder body
- Secure extraction system for an easy maintenance of the sensor

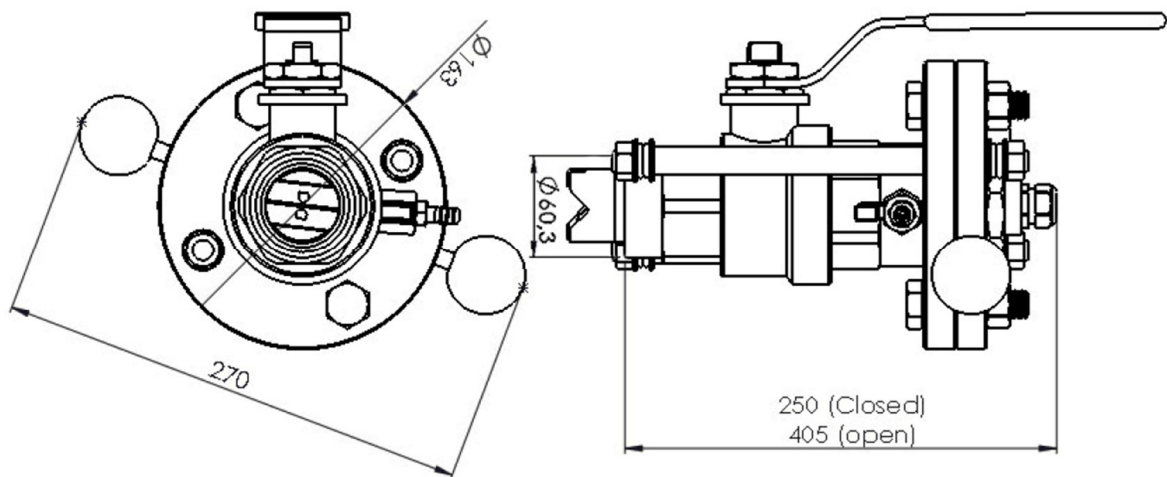
### APPLICATIONS

- Insertion in pipe of the following sensors:
  - S46ILT
  - S46ITN
  - S46IST

## TECHNICAL DATA

Body material	AISI 316 body, PP knobs
Ball valve	DN 40 for extraction of the sensor without interruption of the process
Operating temperature	0÷100 °C
Max operating pressure	4 bar
Connection	Welded for mounting on pipe (Dint 53,5mm)
Complete with	Fixing brackets of the safety sensor, Welding socket

## DIMENSIONS



## ORDER CODES

9700740060	S305/INS Insertion probe-holder for S46 I Turbidity/SS probes
------------	---