

Seko SpA declares that the pump code PPR0018A1000_A has the following features:

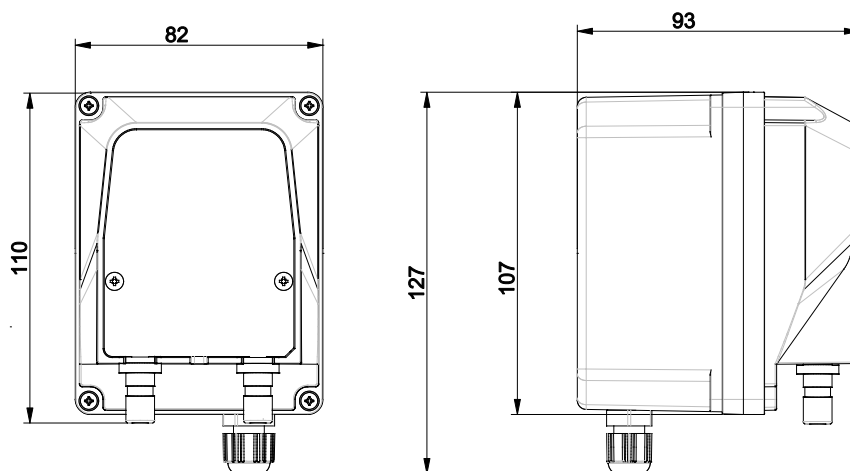


CERTIFICATION	CE, EAC
TYPE	PPR
POWER SUPPLY	230 Vac +/-10% @ 50/60 Hz
CONSUMPTION	7 W
PERISTALTIC TUBE MATERIAL	SANTOPRENE (6x10)
CC/REVOLUTION	2,5
ROLLERS MATERIAL	POM (Polyoxymethylene)
FLOW-RATE	Adjustable 3 - 14 l/h max
GEAR MOTOR	24 VDC – 90 rpm
BACKPRESSURE	0,1 BAR
MPA	0,01
PSI	1,450
GPD	114,12 max
GPH	4,75 max
IP DEGREE	IP 65
OPERATING TEMPERATURE	5-50°C
STORAGE TEMPERATURE	-20÷60°C

INSTALLATION KIT

FIXING BRACKET	Wall bracket
SUCTION/DISCHARGE	8x12 PVC (4 m roll)

DIMENSION



SEKO spa has taken all reasonable measures about the accuracy of this translation, but regrets that no responsibility can be accepted for any error, omission or inaccuracy. In case of doubt or dispute, as provided by the European Directive, only the original language text is valid.