

PERISTALTIC DOSING PUMP

NPR



Seko SpA declares that the pump code NPR0018M3000 has the following features:

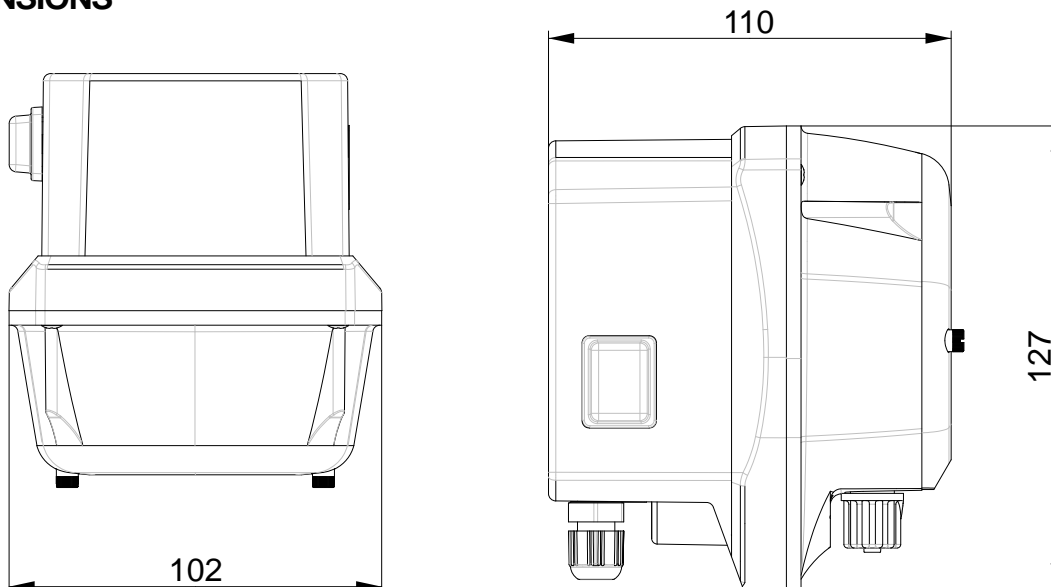


CERTIFICATION	CE, EAC
TYPE	DYNAMIK
POWER SUPPLY	100-240Vac @ 50/60 Hz
CONSUMPTION	5 W
PERISTALTIC TUBE MATERIAL	SEKOFLEX (6,25 x 10,55)
CC/REVOLUTION	2,5
FLOW-RATE	18 l/h max
BACKPRESSURE	0,1 BAR
MPA	0,01
PSI	1,45
GPD	114,12 max
GPH	4,75 max
DOSING TYPE	CONSTANT, ADJUSTABLE SPEED
IP DEGREE	IP 65
OPERATING TEMPERATURE	5-50°C
STORAGE TEMPERATURE	-20÷60°C

INSTALLATION KIT

FIXING BRACKET	PLASTIC WALL BRACKET
SUCTION/DISCHARGE TUBING	TRANSPARENT PVC 8x12, 4 mt roll

DIMENSIONS

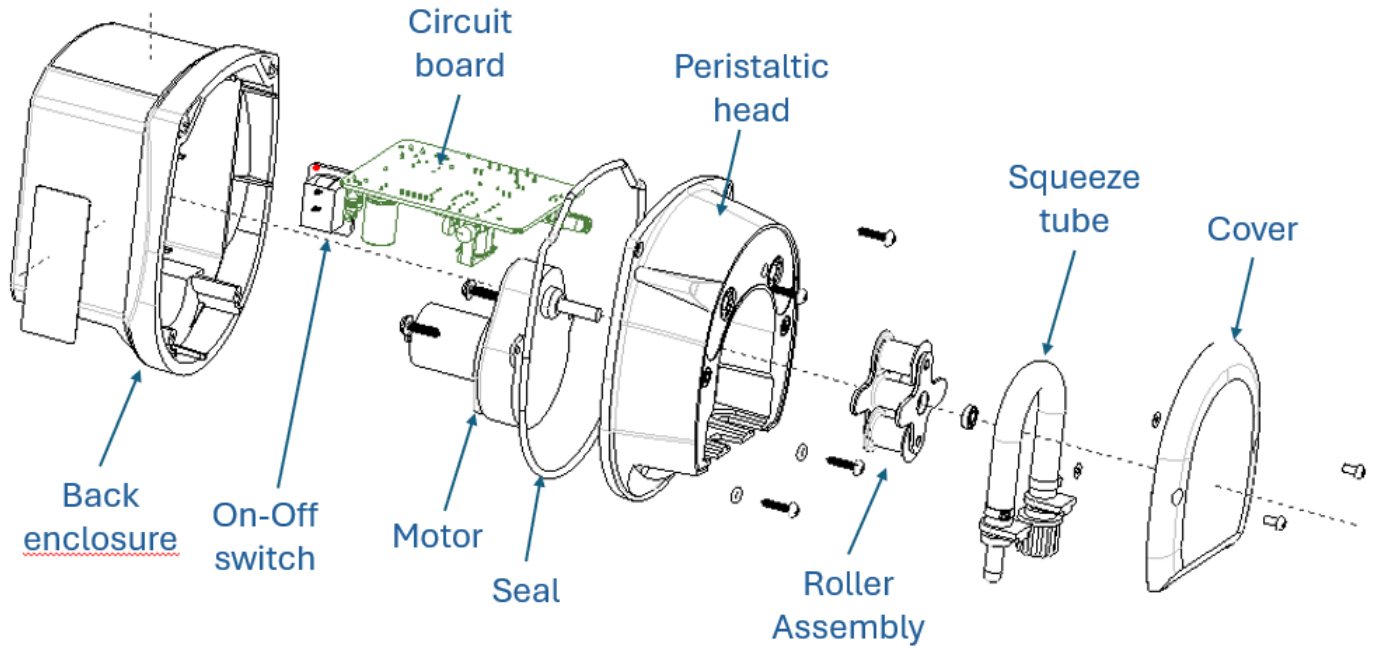


PERISTALTIC DOSING PUMP

NPR



EXPLODED VIEW



MATERIALS

Cover	Squeeze tube	Roller Holder	Rollers	Peristaltic head	Seal	Fittings	Back enclosure
PC transparent	Sekoflex (EPDM)	PBT - black	POM	PP+30% GF	NBR	PP+30% GF	PP+30% GF

TUBES ALTERNATIVES

TUBE TYPE	IMAGE	DESCRIPTION	COMPLIANCE
Sekoflex		<ul style="list-style-type: none"> EPDM rubber that provides flexibility and durability required to transport water and chemicals It can be used with most weak to strong alkaline solutions and weak to medium acids. 	Reach, Rohs
Santoprene®		<ul style="list-style-type: none"> Thermoplastic general-purpose elastomer with good fluid resistance Excellent resistance to alkaline products such as soaps It will not weaken or crack after years of exposure to heat and ozone 	Reach, Rohs
Sekobril		<ul style="list-style-type: none"> Peroxide-cured Silicone Tubing produced from a combination of silicone elastomers Its smooth inner surface reduces the risk of particulate entrapment and microscopic buildup during fluid transfer 	Reach, Rohs FDA, NSF51

SEKO spa has taken all reasonable measures about the accuracy of this translation, but regrets that no responsibility can be accepted for any error, omission or inaccuracy. In case of doubt or dispute, as provided by the European Directive, only the original language text is valid.