

PERISTALTIC DOSING PUMP

NPR



Seko SpA declares that the pump code NPR0018M2000 has the following features:



Image is for reference only, and may not correspond to real pump configuration

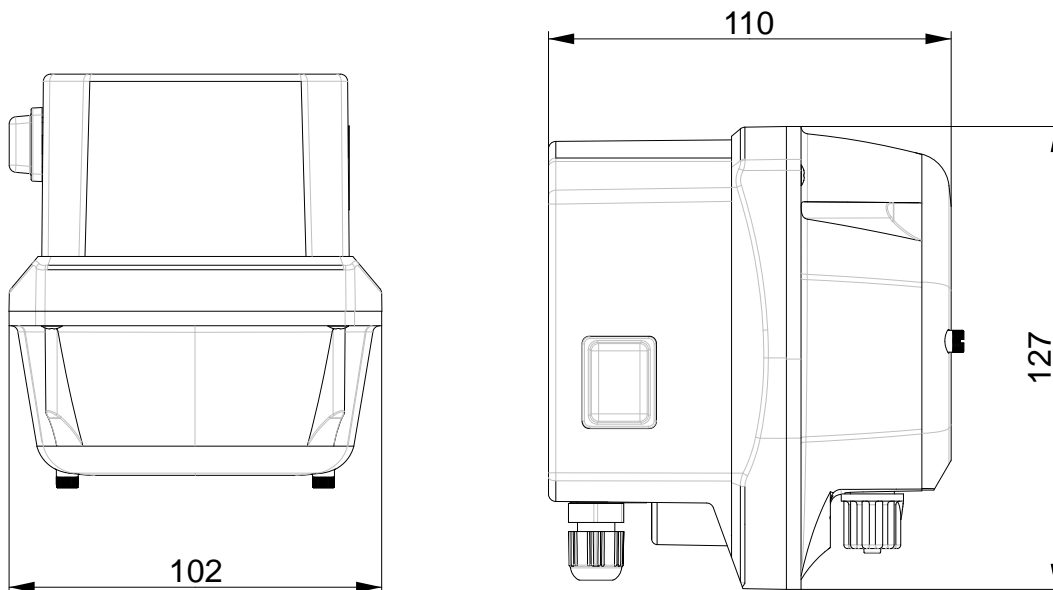
CERTIFICATION	CE, EAC
TYPE	DYNAMIK NPR-18
POWER SUPPLY	100-240Vac @ 50/60 Hz
CONSUMPTION	5 W
PERISTALTIC TUBE MATERIAL	SEKOBRL (6,25 x 10,55)
CC/REVOLUTION	2,5
FLOW-RATE	18 l/h max
BACKPRESSURE	0,1 BAR
MPA	0,01
PSI	1,45
GPD	114,12 max
GPH	4,75 max
DOSING TYPE	CONSTANT, ADJUSTABLE SPEED
IP DEGREE	IP 65
OPERATING TEMPERATURE	5-50°C
STORAGE TEMPERATURE	-20÷60°C

INSTALLATION KIT

FIXING BRACKET

PLASTIC WALL BRACKET WITH SCREW AND DOWEL

DIMENSIONS

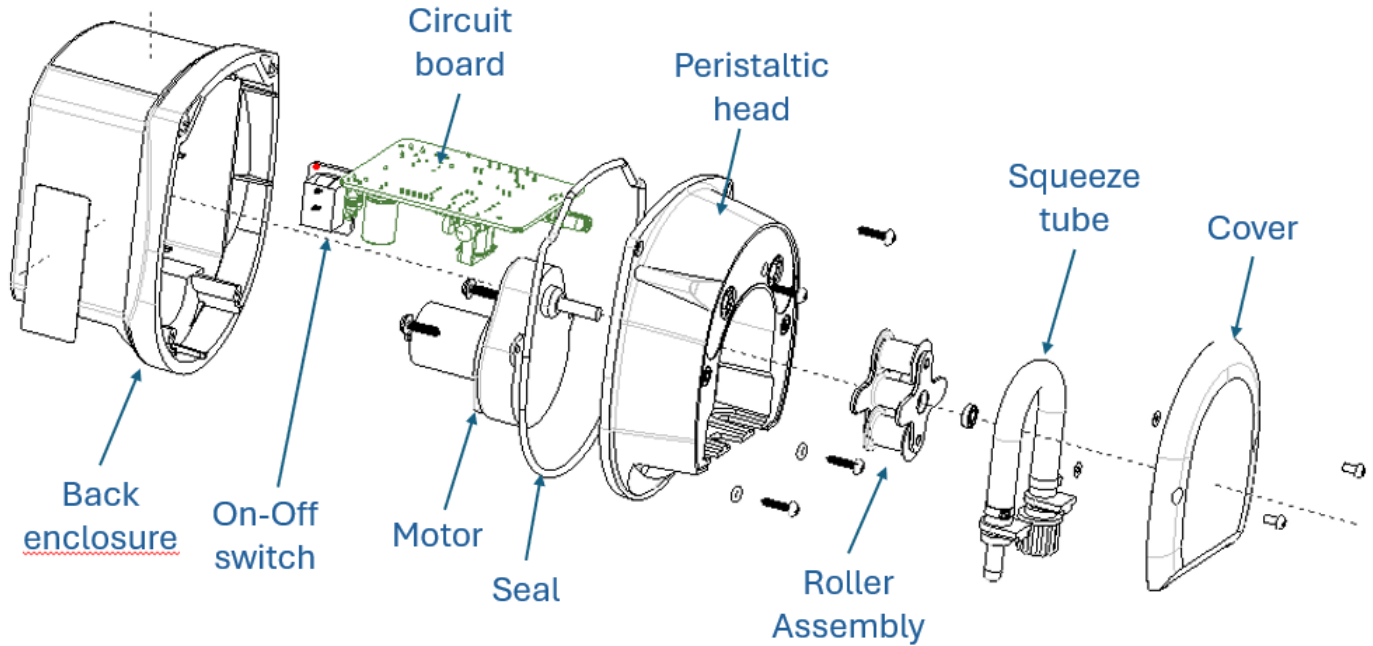


PERISTALTIC DOSING PUMP

NPR



EXPLODED VIEW



MATERIALS

Cover	Squeeze tube	Roller Holder	Rollers	Peristaltic head	Seal	Fittings	Back enclosure
PC transparent	Sekobril (Silicone)	PBT - black	POM	PP+30% GF	NBR	PP+30% GF	PP+30% GF

TUBES ALTERNATIVES

TUBE TYPE	IMAGE	DESCRIPTION	COMPLIANCE
Sekoflex		<ul style="list-style-type: none"> EPDM rubber that provides flexibility and durability required to transport water and chemicals It can be used with most weak to strong alkaline solutions and weak to medium acids. 	Reach, Rohs
Santoprene®		<ul style="list-style-type: none"> Thermoplastic general-purpose elastomer with good fluid resistance Excellent resistance to alkaline products such as soaps It will not weaken or crack after years of exposure to heat and ozone 	Reach, Rohs
Sekobril		<ul style="list-style-type: none"> Peroxide-cured Silicone Tubing produced from a combination of silicone elastomers Its smooth inner surface reduces the risk of particulate entrapment and microscopic buildup during fluid transfer 	Reach, Rohs FDA, NSF51